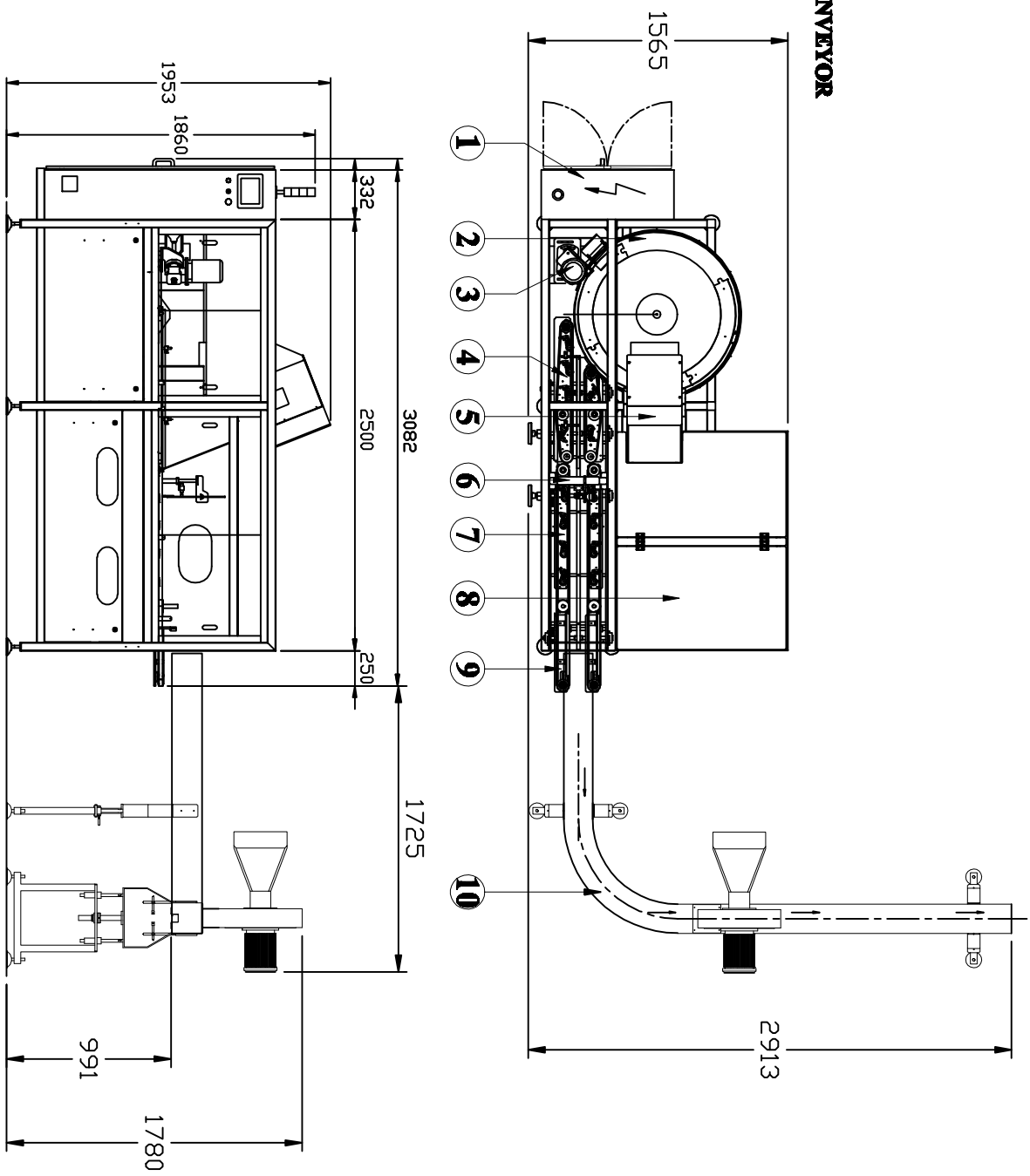


- 1. ELECTRICAL PANEL
- 2. SORTER
- 3. BRUSH
- 4. SPACING CONVEYOR
- 5. ELEVATOR
- 6. BOTTLE ORIENTOR
- 7. BOTTLE ORIENTATION BELT CONVEYOR
- 8. HOPPER
- 9. OUTLET CONVEYOR
- 10. AIR CONVEYOR



MACHINE DIRECTION - LEFT TO RIGHT

Design by FPR	Drawn by ASK	Approved by GRN	3rd Angle Projection	DATE 13/04/2023	SCALE NTS
PROJECT: XXX			ASSEMBLY: LAYOUT		
URVIA MACHINIE TOEGANG Deventer, Nederland www.urvia.nl			TITLE: BOTTLE UNSCRAMBLER WITH AIR CONVEYOR		
DRG.-NO. UMS-1200-02			EDITION SHEET		