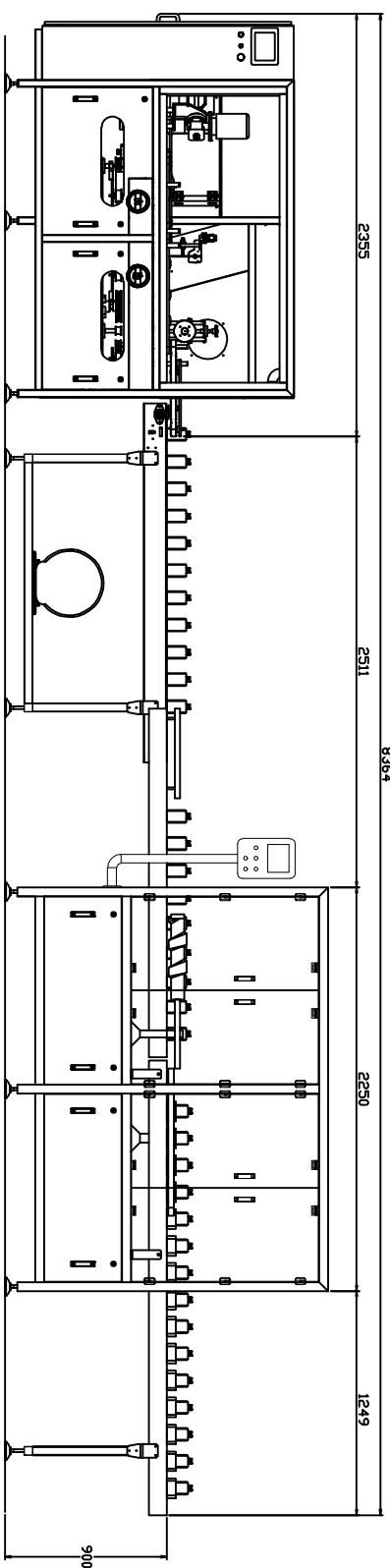
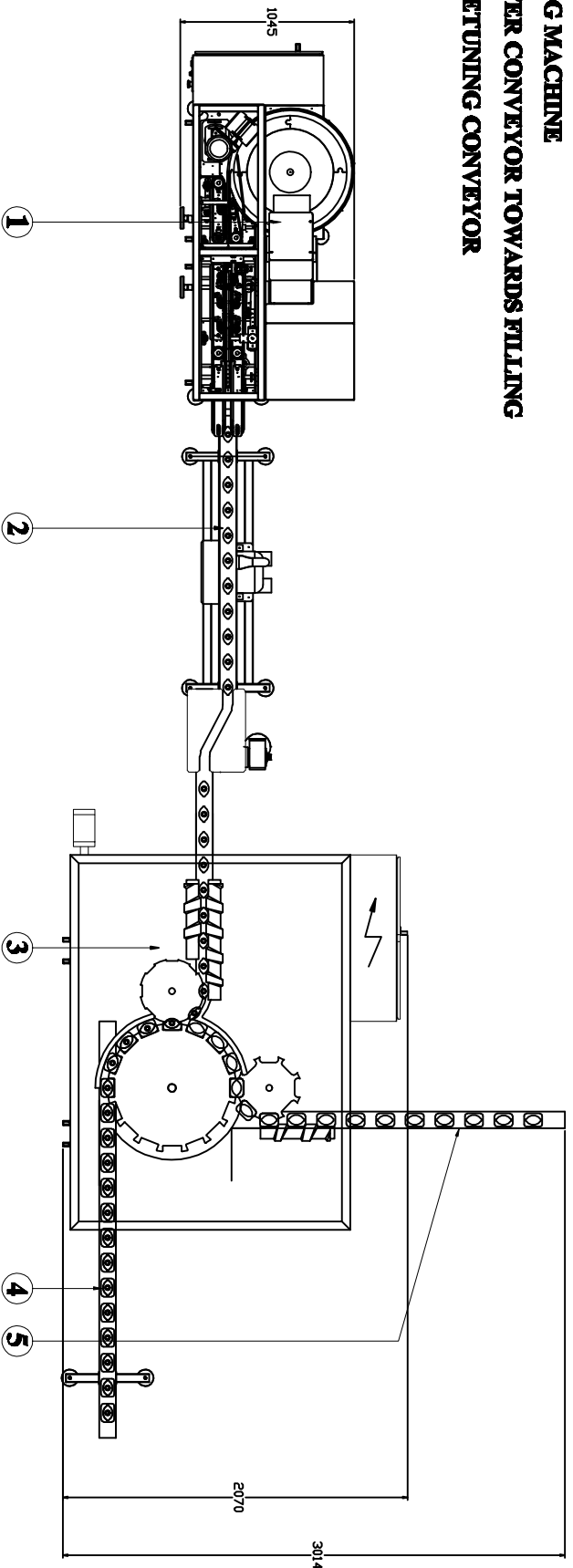


1. BOTTLE UNSCRAMBLER
2. VACUUM CONVEYOR
3. PUCKING MACHINE
4. TRANSFER CONVEYOR TOWARDS FILLING
5. PUCK RETURNING CONVEYOR



MACHINE DIRECTION LEFT TO RIGHT

Design by FPR	Drawn by ASK	Approved by GRN	3rd Angle Projection	DATE 25/01/2022	SCALE NTS
PROJECT: XXX			ASSEMBLY: LAYOUT		
UNIKA MACHINE TOOLS <small>UNIKA Maschinenbau GmbH Industriestraße 10 42699 Solingen, Germany Tel: +49 (0) 212 649-1000 Fax: +49 (0) 212 649-1001 Email: info@unika.de</small>			TITLE: DRZLA (UNIKALAYOUT) - 1mg WITH VACUUM CONVEYOR DRG.-NO. UNB - 790 - 03		
			EDITION SHEET		