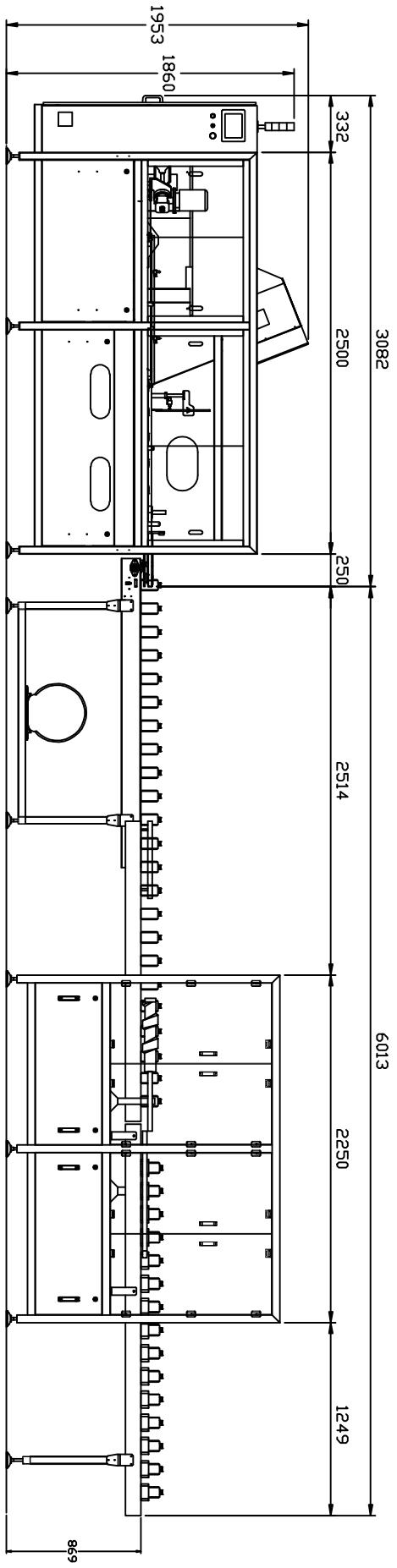
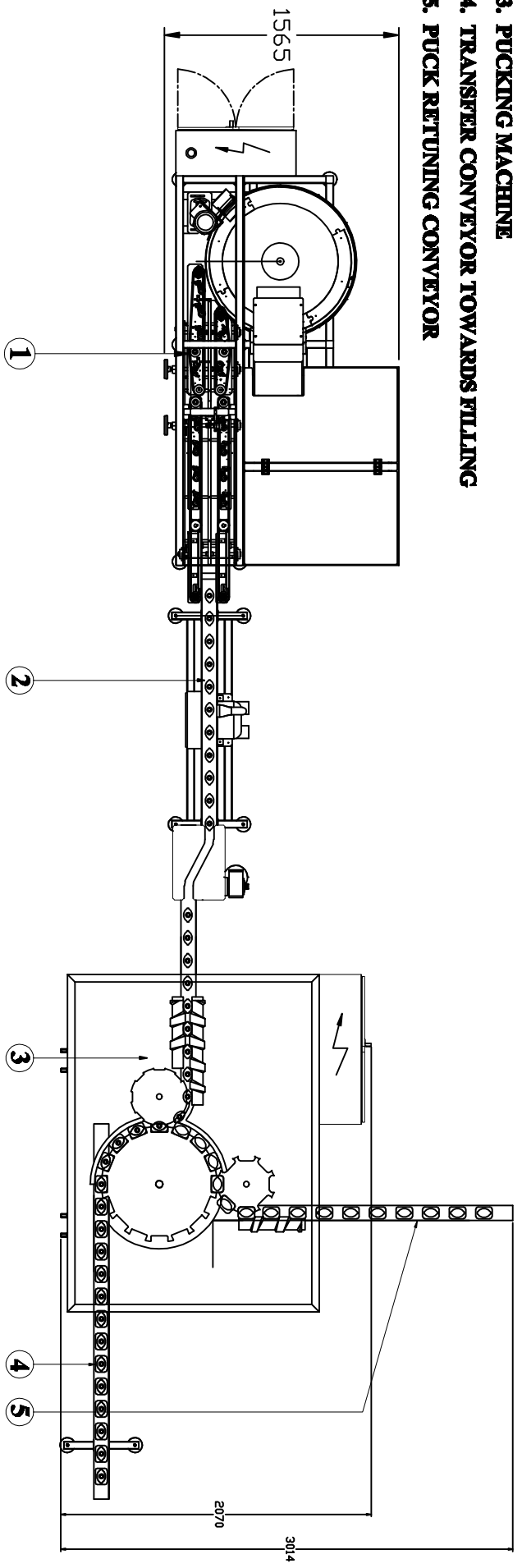


1 2 3 4 5 6 7 8

- 1. BOTTLE UNSCRAMBLER
- 2. VACUUM CONVEYOR
- 3. PUCKING MACHINE
- 4. TRANSFER CONVEYOR TOWARDS FILLING
- 5. PUCK RETURNING CONVEYOR



MACHINE DIRECTION LEFT TO RIGHT

Design by FPR	Drawn by ASK	Approved by GRN	3rd Angle Projection	DATE	SCALE
				13/04/2023	NTS
PROJECT: XXX					
ASSEMBLY: LAYOUT					
TITLE: DIGITAL BOTTLE UNSCRAMBLER - 5000 WITH VACUUM CONVEYOR AND PUCKING MACHINE					
DRG.-NO. UNB-1200-08					
EDITION SHEET					

6 7 8